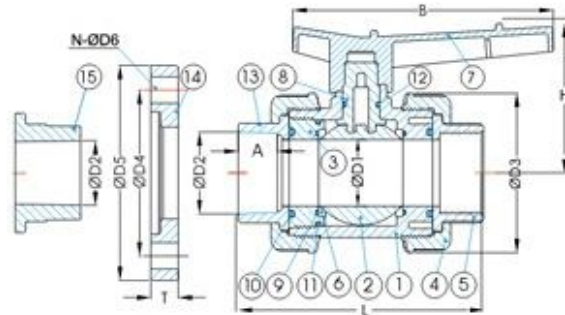


## BALL VALVE



### Features

- Both upstream and down stream sides are provided with safety parts making the valve true union.
- Self lubricating Teflon Seats.
- Minimum pressure loss. Thanks to Full port design.
- Unique Ball design ... Minimum operating torque.
- Blow-out proof stem.
- Better sealing by adjustable seat support.
- Actuator mounting provision with the support blocks.
- Threaded couplings : BS 21 standard.
- Flanged couplings : BS 4504, DIN 8063 & ASA ANSI B 16.5 150 standards.
- Socketfusion: DIN 16962 standards.
- Rotatable flange for the easy alignment with opposite flange
- Face -to-face distance according to EN 558-1 standard.

### Material of Construction

Item No.	Component Name	NO.s	Material	Item No.	Component Name	NO.s	Material
1	Body	1	PP	9	Seat O Ring	2	EPDM/Viton
2	Ball	1	PP	10	End O Ring	2	EPDM/Viton
3	Seat Support	1	PP	11	Seat Mount O Ring	1	EPDM/Viton
4	Union Nut	2	PP	12	Stem O Ring	1	EPDM/Viton
5	End Connectot- Thread	2	PP	13	End Socket	1	PP
6	Seat	2	PTFE	14	Flange	2	PP
7	Handle	2	ABS	15	Flange Socket	2	PP
8	Stem	1	PP				

### Dimension

SNo.	Size	ØD1	A	B	H	L		ØD3			ØD4		ØD5	ØD6		N	L Flange	T	Work Pressure
						Socket	Threaded	Socket	Threaded	Flange	DIN	ANSI		DIN	ANSI				
1	1/2"	15	15	70	46	101	98	19.25	1/2"BSP	13.8	65	60.3	93	14	15.8	4	130	12	10
2	3/4"	20	16.5	70	52	115	112	24	3/4"BSP	18.8	75	69.9	103	14	15.8	4	150	13	10
3	1"	25	18	85	63	138	125	31	1"BSP	25	85	79.4	114	14	15.8	4	160	15	10
4	1 1/2"	40	24	118	72	165	159	49	1 1/2"BSP	39	110	98.4	142	18	15.8	4	200	18	10
5	2"	48	27.5	189	108	190	180	62	2"BSP	48	125	120.7	162	18	19.1	4	230	20	10
6	2 1/2"	64	31	189	120	223	218	73	2 1/2"BSP	60	145	139.7	181	18	19.1	4	290	25	10

\* The Product is available in both Chemcon & Flowcon. Chemcon is recommended for Industrial applications and Flowcon for General purposes.