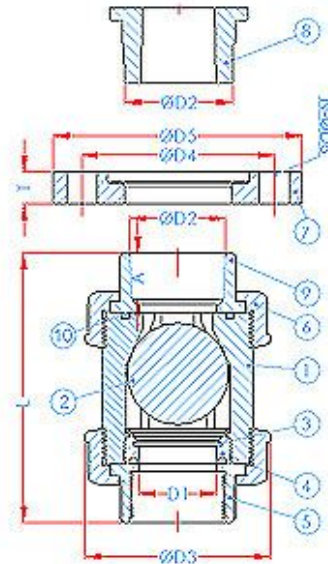


NON RETURN VALVE



Features

- Operates in vertical or horizontal installations.
- Excellent flow characteristics.
- True union version so that the downstream pipeline can be disconnected.
- Threaded couplings: BS 21 standard.
- Flanged couplings: BS 4504, DIN 8063 & ASA ANSI B16.5 150 standards.
- Socketfusion: DIN 16962 standards.
- In the opened condition, pressure drop is less as the area for passage of liquid is more than the orifice area
- Face –to-face distance according to EN 558-1 standard.

Material of Construction

Item No.	Component Name	NO.s	Material	Item No.	Component Name	NO.s	Material
1	Body	1	PP	7	Flange	2	PP
2	Ball	1	PP	8	Flange Socket	2	PP
3	Seat Support	1	PP	9	End Socket	2	PP
4	Union Nut	2	PP	10	Screen	2	PP
5	End Connectot- Thread	2	PP				
6	Seat	2	EPDM/Viton				

Dimension

SNo.	Size	ØD1	A	ØD2	L		ØD3			ØD4		ØD5	ØD6		N	L Flange	T	Work Pressure
					Socket	Threaded	Socket	Threaded	Flange	DIN	ANSI		DIN	ANSI				
1	1/2"	15	15	48	101	98	19.25	1/2"BSP	13.8	65	60.3	93	14	15.8	4	130	12	10
2	3/4"	20	16	56	115	112	24	3/4"BSP	18.8	75	69.9	103	14	15.8	4	150	13	10
3	1"	25	18	73	131	125	31	1"BSP	25	85	79.4	114	14	15.8	4	160	15	10
4	1 1/2"	40	24	96	165	159	49	1 1/2"BSP	39	110	98.4	142	18	15.8	4	200	18	10
5	2"	48	27.5	116	190	180	62	2"BSP	47.8	125	120.7	162	18	19.1	4	230	20	10
6	2 1/2"	64	31	140.8	223	218	73	2 1/2BSP	60	145	139.7	181	18	19.1	4	290	24	10

* The Product is available in both Chemcon & Flowcon. Chemcon is recommended for Industrial applications and Flowcon for General purposes.